

CHEST FREEZERS **BROMIC**[®]

Flat Top Flat Glass REFRIGERATION

The Flat Top, Flat Glass Chest Freezers offer the perfect display or storage for ice cream and frozen items. The sides can be decalced (charges apply -POA.) 5 sizes available (191, 296, 401, 491 and 670 litre)

- Digital Temperature display
- Durable PVC coated storage baskets included (all fully populated)
- Sliding glass lids (open left and right)
- Integrated lock and keys
- Defrost water drain
- High load limit increases storage volume
- Lockable castors for easy positioning
- Corrosion resistant construction
- Easy clean condenser design for better protection, less condensation, less humidity even in tropical climatic conditions



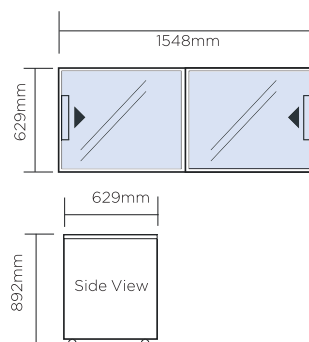
**Chest Freezer Flat Top
Flat Glass - 5ft**
CF0500FTFG



**Chest Freezer Flat Top
Flat Glass - 7ft**
CF0700FTFG

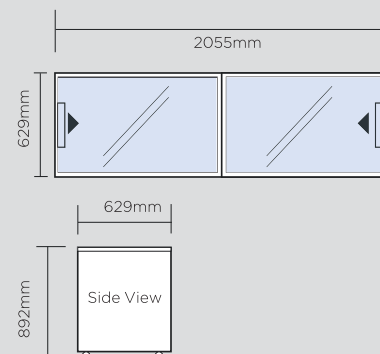
CF0500FTFG

| | |
|---|--------------------------------|
| Bromic Part Number | 3735304 |
| Capacity - Net (litres) | 491L |
| External Dimensions (mm) | 1548w x 629d x 892h |
| <small>Depth dimensions exclude lightbox and handle protrusions</small> | |
| Internal Dimensions (mm) | 1430w x 510d x 663h |
| Temperature range (°C) | -12 to -22°C |
| Max. ambient temp (°C/RH%) | 35°C / 70% |
| Temperature display | Digital |
| Lid | 2 Sliding |
| Lid Material | Heat reflective tempered glass |
| Number of baskets | 6 |
| Refrigeration Power (Watts) | 400W |
| Current (Amps) | 2.6A |
| Plug supplied | Yes, 10amp |
| Gross weight (kg) | 101kg |
| Refrigerant | R404a |
| Colour | White |
| Power Usage (at 30°C/60%RH) | 6.4KWh/24hr |



CF0700FTFG

| | |
|---|--------------------------------|
| Bromic Part Number | 3735305 |
| Capacity - Net (litres) | 670L |
| External Dimensions (mm) | 2055w x 629d x 892h |
| <small>Depth dimensions exclude lightbox and handle protrusions</small> | |
| Internal Dimensions (mm) | 1930w x 510d x 663h |
| Temperature range (°C) | -12 to -22°C |
| Max. ambient temp (°C/RH%) | 35°C / 70% |
| Temperature display | Digital |
| Lid | 2 Sliding |
| Lid Material | Heat reflective tempered glass |
| Number of baskets | 8 |
| Refrigeration Power (Watts) | 440W |
| Current (Amps) | 2.9A |
| Plug supplied | Yes, 10amp |
| Gross weight (kg) | 120kg |
| Refrigerant | R404a |
| Colour | White |
| Power Usage (at 30°C/60%RH) | 7.2KWh/24hr |



WARRANTY 1 YR PARTS
YR LABOUR